



iVIEW Technology Security & Information
 CD7-407V

7-series camera

Key Features:

- ◆ 1/3" Color Sony Super HAD
- ◆ Digital Wide Dynamic Range
- ◆ Preset OSD Menu
- ◆ HLC(High Light Compensation)
- ◆ 2D-DNR(Digital Noise Reduction)
- ◆ 3-Axis Mechanism for free lens rotation



Specifications:

Model	CD7-407V
Image Device	1/3" Color Sony Super HAD
Picture Elements	NTSC:768x494 PAL:752x582(H*V)
Resolution	650TV Line
Min. Illumination	0Lux (IR on)
S/N Ratio	More than 52dB
Electronic Shutter	NTSC:1/60~1/100,000, PAL:1/50~1/100,000
Flickerless Mode	On/Off (NTSC:1/100, PAL:1/120)
Gamma	0.45
Lens Furnished	Varifocal Lens 2.8-12mm
Digital Noise Reduction	2D DNR
Wide Dynamic Range	DWDR (On / Off)
White Balance	OSD adjustment
OSD menu	English / Chinese
Sync. System	Internal
Back Light Compensation	OFF (Default) / BLC / HLC
Flickerless	Yes
Day & Night	Color / BW / Auto Switch
Mirror	Yes (Default: OFF)
Privacy Masking	8 zone (Default: OFF)
Motion Detection	4 zone (Default: OFF)
Gain Control	Auto / Manual
Infrared Luminary	30 pieces Φ5 IR-LED (850 nm)
Illumination Distance	25 M
Power Supply	DC12V±10%
Power Consumption	IR On: 350mA max, IR Off: 80mA max
Video Output	1Vp-p / 75 Ohms
Operating Temp.	- 10°C ~ 50°C
Storage Temp.	- 30°C ~ 60°C

The Specifications are subject to change without prior notice.

ANTI CUT

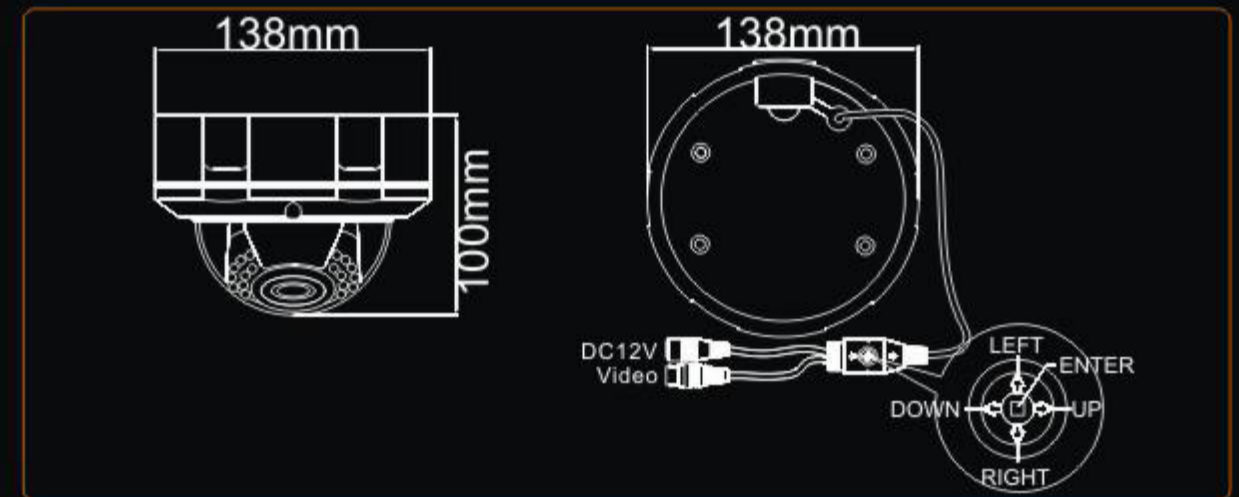


Vandal Proof



ARM BRACKET OPTION

Dimensions:



DWDR OFF



DWDR ON



DNR OFF



DNR ON



HLC OFF



HLC ON

Color Option:

