

CAMERA



iVIEW Security & Information Technology

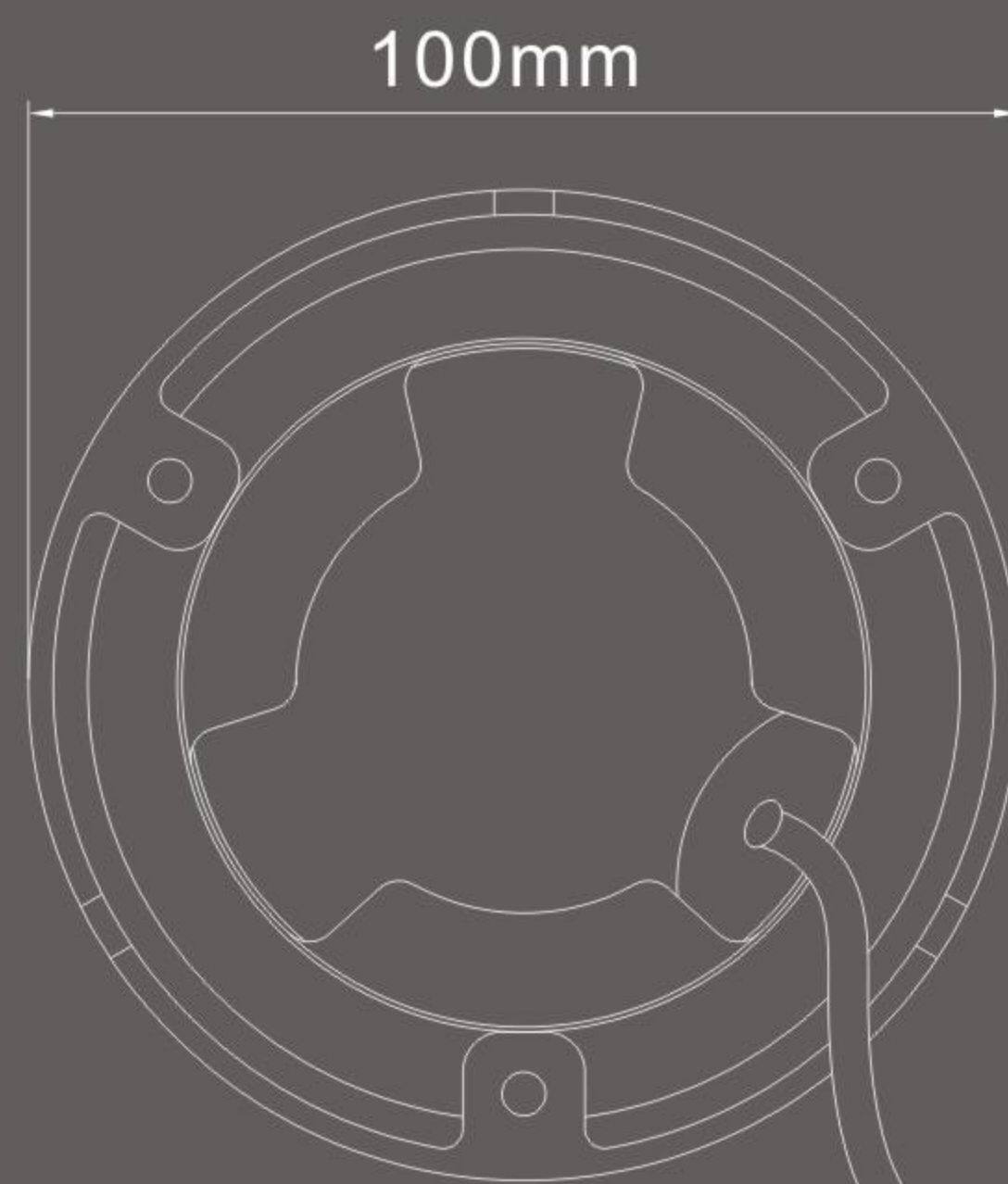
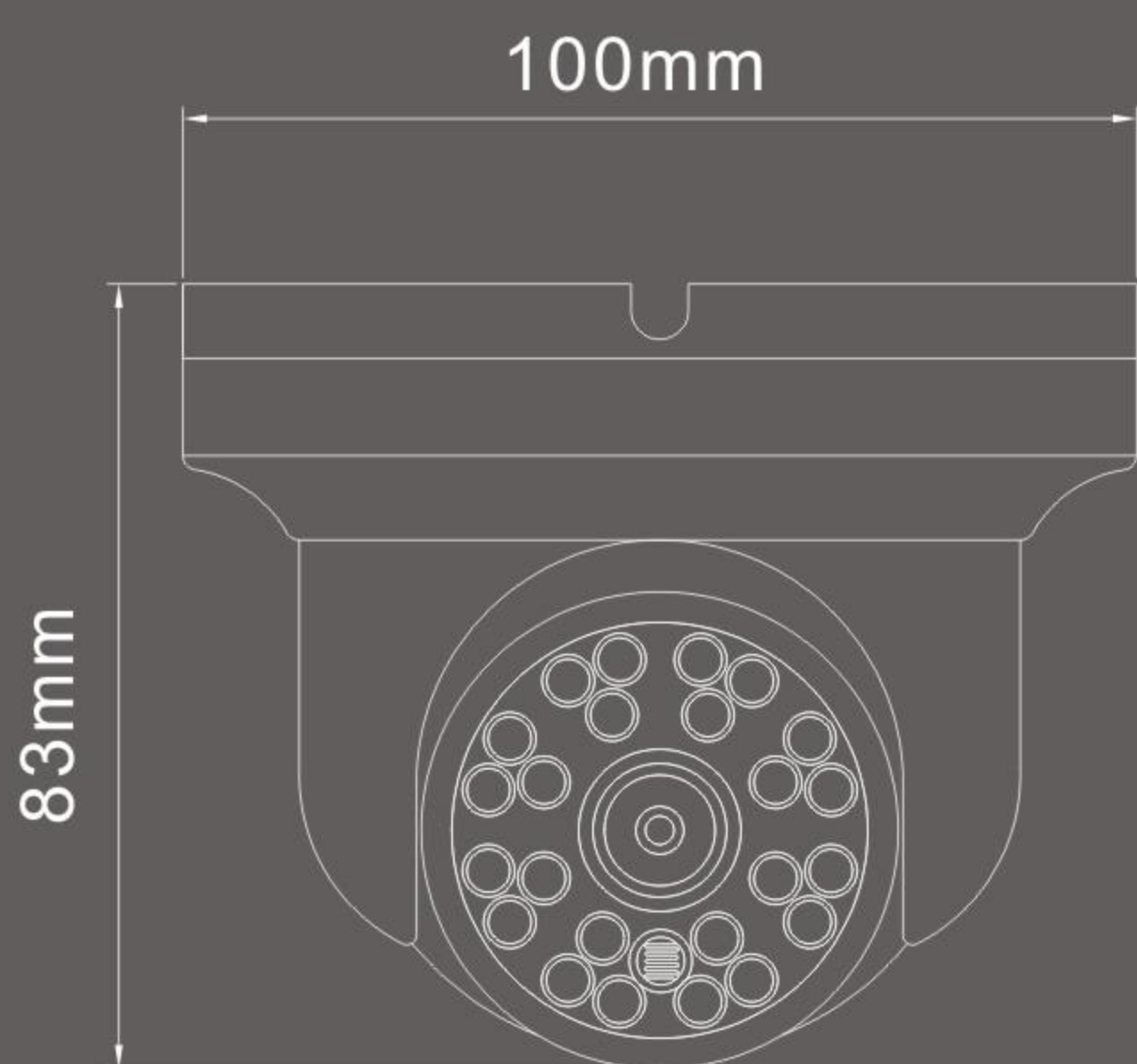
IVT CD148W/B



Model	IVT-CD148W/B
Image Device	1/3" Color Sony Super HAD
Picture Elements	NTSC:512x492 PAL:512x582
Resolution	480TV Line
Min. Illumination	0Lux (IR on)
S/N Ratio	More than 48dB
Electronic Shutter	NTSC:1/60~1/100,000, PAL:1/50~1/100,000
Flickerless Mode	On/Off (NTSC:1/100, PAL:1/120)
Gamma	0.45
Lens Furnished	Board Lens 3.6mm / F2.0 (option: 6/8mm)
White Balance	Auto
Sync. System	Internal
Video Output	1 Vp-p / 75 Ohms
Infrared Luminary	24 pieces Φ 5 IR-LED
Wavelength	850 nm
Illumination Distance	15 M
Power Supply	DC12V \pm 10%
Power Consumption	IR On: 300mA max, IR Off: 80mA max
Operating Temp.	- 10°C ~ 50°C
Storage Temp.	- 30°C ~ 60°C

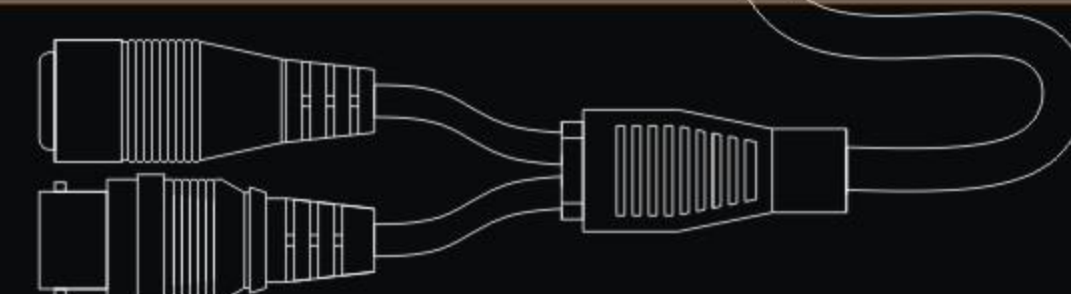


The Specifications are subject to change without prior notice.



DC12V

Video



www.iviewtech.com