

CAMERA



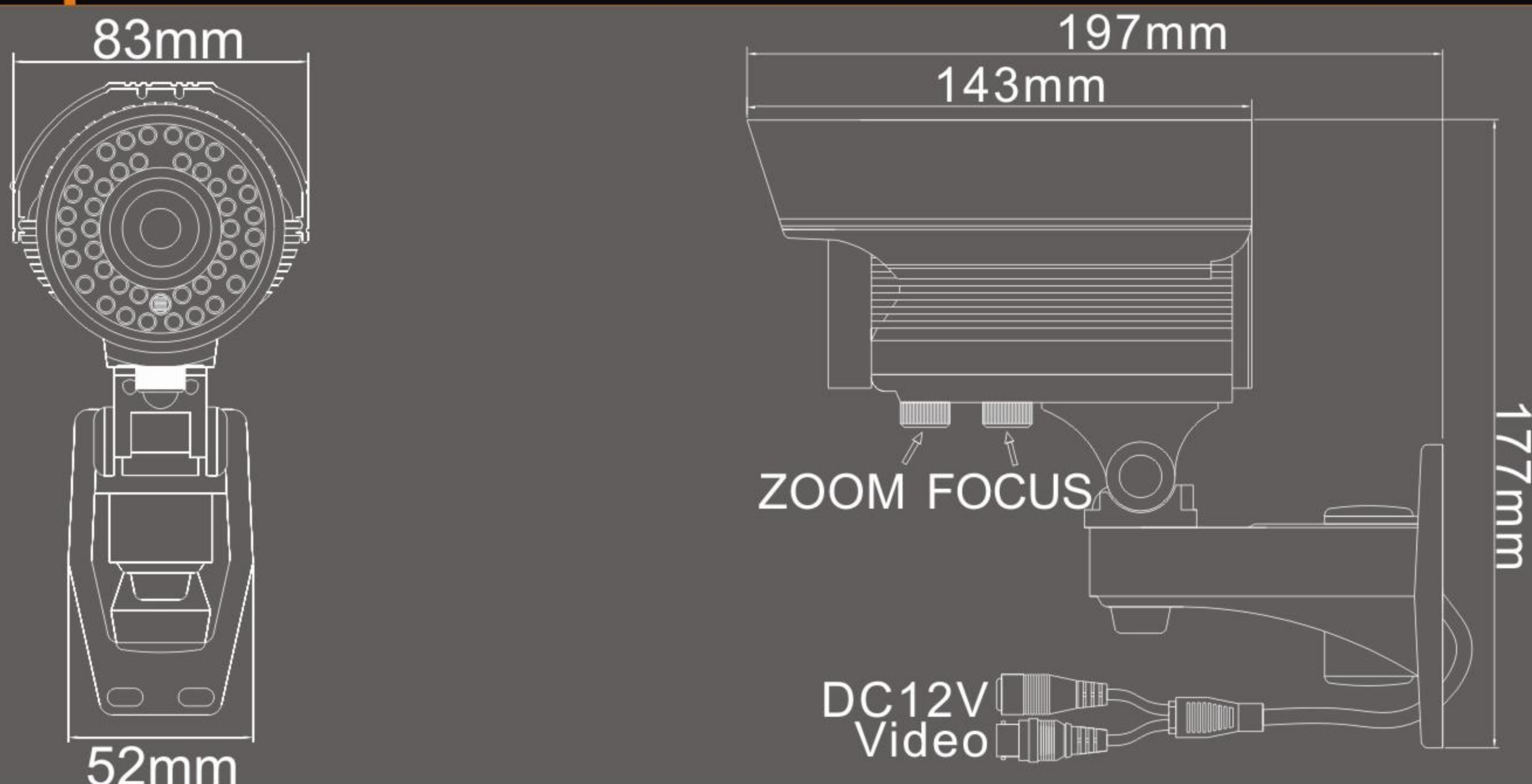
iVIEW Security & Information Technology

IVT CB238VS



Model	IVT-CB238VS
Image Device	1/3" Color Sony Super HAD
Picture Elements	NTSC:512x492 PAL:512x582
Resolution	480TV Line
Min. Illumination	0Lux (IR on)
S/N Ratio	More than 48dB
Electronic Shutter	NTSC:1/60~1/100,000, PAL:1/50~1/100,000
Flickerless Mode	On/Off (NTSC:1/100, PAL:1/120)
Gamma	0.45
Lens Furnished	Varifocal Lens 2.8-12mm (option:4-9mm)
White Balance	Auto
Sync. System	Internal
Video Output	1 Vp-p / 75 Ohms
Infrared Luminary	42 pieces Φ 5 IR-LED
Wavelength	850 nm
Illumination Distance	35 M
Power Supply	DC12V \pm 10%
Weatherproofing	IP 66
Power Consumption	IR On: 400mA max, IR Off: 80mA max
Operating Temp.	- 10°C ~ 50°C
Storage Temp.	- 30°C ~ 60°C

The Specifications are subject to change without prior notice.



www.iviewtech.com