



The TA300 Defining Mobility

The TA300 can be described as a definition of "mobility"; as it is not only wireless in nature, it is also portable. The long lasting battery option leaves you with less worries about power supply - simply let it run on battery power for mobility, or plug in the power cable for a longer duration of use. The TA300 was designed especially for small to medium sized businesses. From the minute it comes out of the box, you'll find it simple to use as it requires no installation, no power supply, and no cables of any sort. Communication with this device is done purely through the simple use of a USB connector. This device can be placed on any flat surface, making it suitable for businesses such as tuition centers, training centers, travel agencies and so on. Overall, the TA300 is your FingerTec solution if you are looking for mobility and reliability.

*Made to order



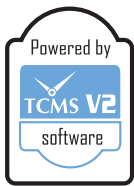
No Installation Needed

The TA300 is ready to be used straight out of the box without any hassle of wiring. Just place it on a surface, and it's ready to go!



Battery Powered

The TA300 has a built in battery that can last up to 5 hours under normal usage. No need to worry about power cuts or lack of power supply points anymore!



Easy Data Management

Uploading and downloading of data is possible with the TA300. Data management is done simply with a USB cable. Get ready to Plug & Play!



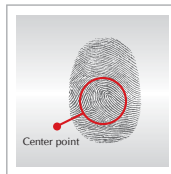
Fast Paced & Versatile

The TA300 gives you an option of identity verification through fingerprint scanning or password. On top of that, fingerprint verification is done within a second!



The Biometric with Stability

The TA300 has a wide base for stability, and is designed to be placed on a flat surface. This makes it suitable to be used in almost any businesses and centres.



Small in Looks, Big in Storage

The TA300 may look small and compact, but it is able to store 500 fingerprint templates, and 30000 transactions at one go. This means less frequent downloading of data for you.



Value for Money

This model was designed to be economical so that you are able to implement FingerTec solutions at a lower cost. We believe that when it comes to security, there should be no compromise.



Manage Your Data Easily

Administration is easy with the bundled software! FingerTec's TCMS software allows you to generate reports, monitor attendance and integrate FingerTec with a third party system.

WEB LINK

Product

- <http://info.fingertec.com/ta300-1>

Quick Start Guide

- <http://info.fingertec.com/ta300-2>

User Guide

- <http://info.fingertec.com/ta300-3>

Video Guide

- <http://info.fingertec.com/ta300-4>

Technical Tips

- <http://info.fingertec.com/ta300-5>



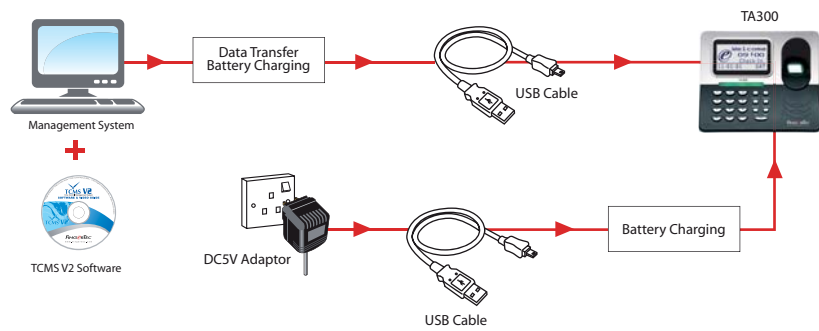
Packaging

Dimension (mm) : 207(L) x 136(W) x 146(H)
Weight : 1kg

LAYOUT PLAN

Layout Plan (Single Terminal System)

for illustration only



SPECIFICATIONS

| | |
|--|---|
| MODEL | TA300 |
| SURFACE FINISHING | Acrylonitrile Butadiene Styrene (ABS) |
| TYPE OF SCANNER | Optical |
| PROCESSOR | 400 MHz microprocessor |
| MEMORY | 8MB flash memory |
| ALGORITHM | BioBridge VX 9.0 / VX10.0 |
| PRODUCT DIMENSION (L X W X H), mm | 160 x 120 x 127 |
| STORAGE | |
| • Fingerprint templates | 1500 |
| • Transaction | 50000 |
| ENROLLMENT & VERIFICATION | |
| • Methods | Fingerprint (1:1, 1:N), Password <i>(Optional card)</i> |
| • Recommended fingerprint per user ID | 2 |
| • Fingerprint placement | Any angle |
| • Verification time (sec) | < 1 |
| • FAR (%) | < 0.0001 |
| • FRR (%) | < 1 |
| CARD TECHNOLOGY | |
| • RFID: 64-bit, 125kHz | Made to order |
| • MIFARE: MFIS50/S70, 13.56MHz | Made to order |
| • HID: HID 1325, 26-bit, 125kHz | Made to order |
| COMMUNICATIONS | |
| • Method | USB Cable / Connection |
| OPERATING ENVIRONMENT | |
| • Temperature (°C) | 0 ~ 45 |
| • Humidity (%) | 20 ~ 80 |
| • Power input | DC5V 800mA |
| MULTIMEDIA | |
| • Voice | Yes |
| • Display | Black and White |
| • Internal backup battery | Yes (DC5V, 1300mAh) |
| VOICE / DISPLAY LANGUAGE (TERMINAL) | English (Standard) / Arabic / Indonesian / Spanish / French / Other Languages upon request |
| SOFTWARE LANGUAGE | English, Arabic, Malay, Indonesian, Chinese (Traditional), Chinese (Simplified), Thai, Spanish, Portuguese (Brazil), Polish, Vietnamese, French, Russian, Persian, German, Italian, Turkish |

NOTE: Specifications are subject to change. Check <http://product.fingertec.com> for latest product information.

Authorized Reseller:



FINGERTEC
www.fingertec.com

©2012 FingerTec Worldwide Sdn. Bhd. All rights reserved.